

UGR<25lens 100-130lm/W

# LED UFO High Bay light

60W / 80W / 100W / 120W / 150W / 180W / 200W



## Certificates



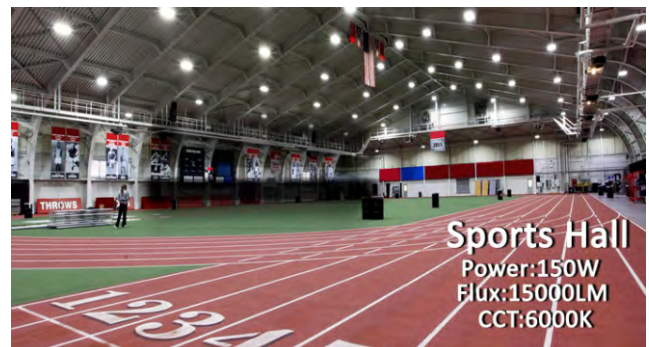
## Product Facts

- Save energy and cost:** 150W LED UFO High Bay replaces a 400W Metal Halide providing a saving of 250W per fitting.
- Healthy:** No IR or UV Radiation.
- Flexible:** Ip65 Waterproof with PC lens provides multiple applications and longevity.
- Where:** Warehouse, Airports, Exhibition Centres, Shopping Centres, Supermarkets, Stadiums, Toll Stations, Subways, and other indoor and outdoor high ceiling applications.



## Application


This product is suitable for factories, workshops, warehouse, toll stations, gas stations, stadiums, big supermarket, exhibition, commercial building, stadium hall, parking building etc .




## Dimension (Unit: mm)



## A: Technical Parameter

| Item                        | UL-H60W                                                                            | UL-H80W          | UL-H100W         | UL-H120W         |
|-----------------------------|------------------------------------------------------------------------------------|------------------|------------------|------------------|
| Dimension                   | Φ390 x (H)230 mm                                                                   | Φ390 x (H)230 mm | Φ390 x (H)230 mm | Φ390 x (H)230 mm |
| Voltage                     | AC85V- 265V~50/60HZ                                                                |                  |                  |                  |
| Power                       | <b>60W</b>                                                                         | <b>80W</b>       | <b>100W</b>      | <b>120W</b>      |
| LED Driver                  |  |                  |                  |                  |
| LED Type                    | Philips3030 / Nichia                                                               |                  |                  |                  |
| LED Quantity                | 196pcs                                                                             | 196pcs           | 196pcs           | 196pcs           |
| Lumen (±10%)                | 7200lm                                                                             | 9600lm           | 12000lm          | 14400lm          |
| Color Temperature (CCT)     | 2700K-6500K                                                                        |                  |                  |                  |
| Beam Angel                  | 60° / 90° / 120°                                                                   |                  |                  |                  |
| Color Rendering Index (CRI) | Ra >80                                                                             |                  |                  |                  |
| Power Supply Efficiency     | >95%                                                                               |                  |                  |                  |
| LED Luminous Efficiency     | Up to 120lm/W                                                                      |                  |                  |                  |
| Power Factor (PF)           | >0. 95                                                                             |                  |                  |                  |
| IP Rank                     | IP 65                                                                              |                  |                  |                  |
| Certificate                 | C-TICK, SAA, CE, CB                                                                |                  |                  |                  |
| Material                    | AL+PC                                                                              |                  |                  |                  |
| G.W.                        | 6.5kg                                                                              | 6.5kg            | 6.5kg            | 6.5kg            |

| Item                        | UL-H150W                                                                             | UL-H180W         | UL-H200W         |
|-----------------------------|--------------------------------------------------------------------------------------|------------------|------------------|
| Dimension                   | Φ390 x (H)230 mm                                                                     | Φ390 x (H)230 mm | Φ390 x (H)230 mm |
| Voltage                     | AC85V- 265V~50/60HZ                                                                  |                  |                  |
| Power                       | <b>150W</b>                                                                          | <b>180W</b>      | <b>200W</b>      |
| LED Driver                  |  |                  |                  |
| LED Type                    | Philips3030 / Nichia                                                                 |                  |                  |
| LED Quantity                | 196pcs                                                                               | 196pcs           | 238pcs           |
| Lumen (±10%)                | 16500lm                                                                              | 19800lm          | 22000lm          |
| Color Temperature (CCT)     | 2700K-6500K                                                                          |                  |                  |
| Beam Angel                  | 60° / 90° / 120°                                                                     |                  |                  |
| Color Rendering Index (CRI) | Ra >80                                                                               |                  |                  |
| Power Supply Efficiency     | >95%                                                                                 |                  |                  |
| LED Luminous Efficiency     | Up to 120lm/W                                                                        |                  |                  |
| Power Factor (PF)           | >0. 95                                                                               |                  |                  |
| IP Rank                     | IP 65                                                                                |                  |                  |
| Certificate                 | C-TICK, SAA, CE, CB                                                                  |                  |                  |
| Material                    | AL+PC                                                                                |                  |                  |
| G.W.                        | 6.5kg                                                                                | 6.5kg            | 6.5kg            |

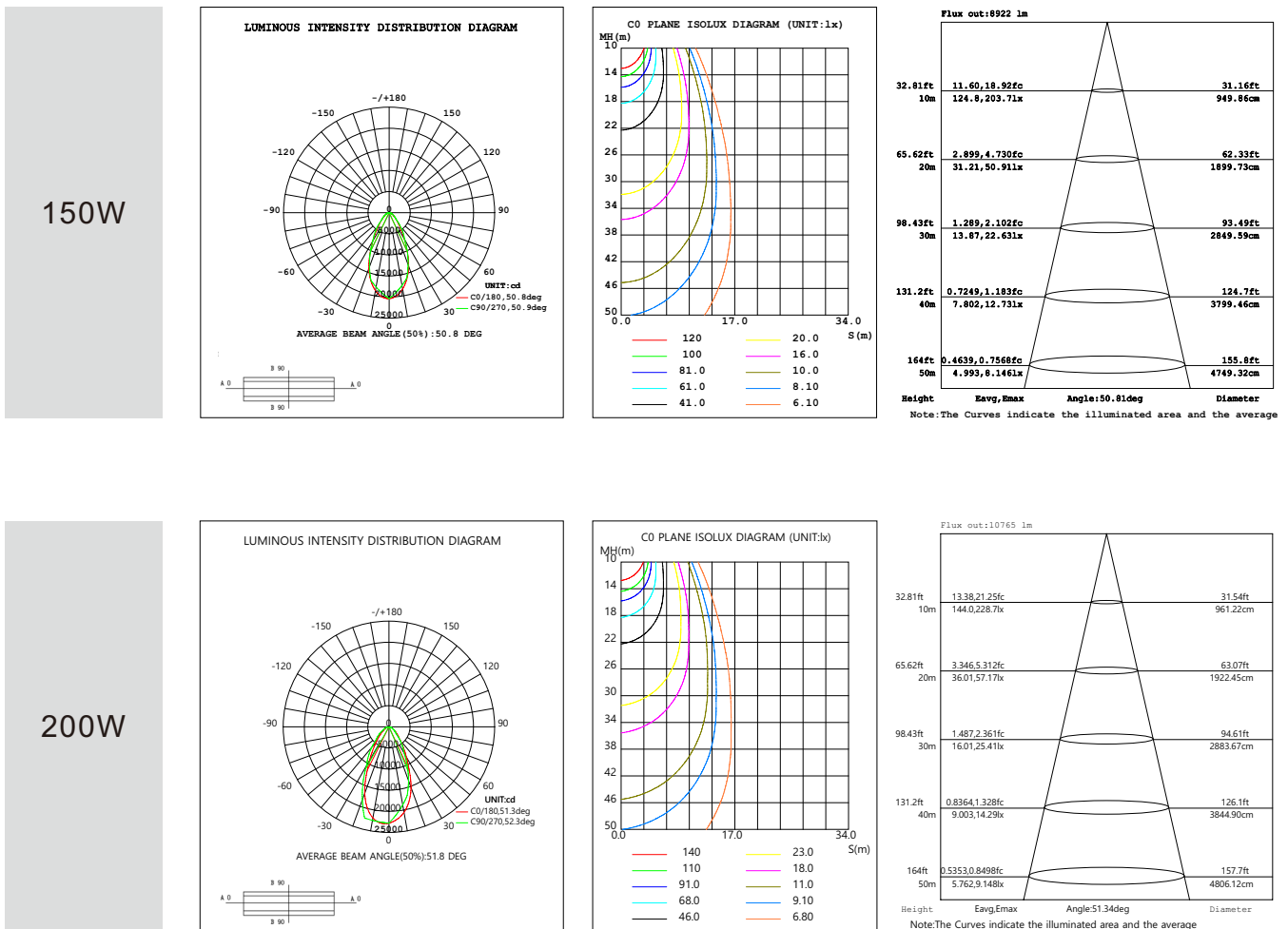
## B: Mechanical Specifications

|                    |                         |
|--------------------|-------------------------|
| LED Driver         | Meanwell                |
| Housing Processing | Whole injection housing |
| Material           | Aluminum+PC             |

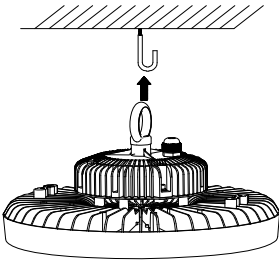
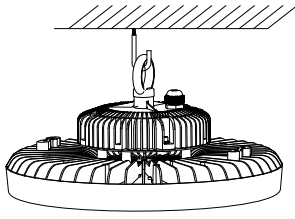
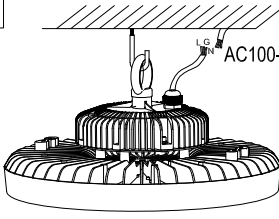
## C: Environmental

|                             |               |
|-----------------------------|---------------|
| Temperature Range Operating | -20°C to 50°C |
| Humidity Range Operating    | 10% to 80%    |
| Temperature Range Storage   | -40°C to 65°C |
| Humidity Range Storage      | 10% to 80%    |


## Plane Isolux Curve & Illumination Cone Curve



## Installation

|                                                                                                                                                    |                                                                                                                         |                                                                                                                                                                                                       |
|----------------------------------------------------------------------------------------------------------------------------------------------------|-------------------------------------------------------------------------------------------------------------------------|-------------------------------------------------------------------------------------------------------------------------------------------------------------------------------------------------------|
| <p>1.</p>  <p>Drilling a hole in the ceiling, install a hook.</p> | <p>2.</p>  <p>Hanging the fixture.</p> | <p>3.</p>  <p>Connect the cables. Brown-L, Blue-N, Yellow green-Ground take care of the waterproof processing.</p> |
|----------------------------------------------------------------------------------------------------------------------------------------------------|-------------------------------------------------------------------------------------------------------------------------|-------------------------------------------------------------------------------------------------------------------------------------------------------------------------------------------------------|

## Packing

| Packing details                                                                     |                        |
|-------------------------------------------------------------------------------------|------------------------|
|  | Light                  |
|                                                                                     | CTN Size&GW            |
|                                                                                     | 47.0*47.0*23.0CM&6.9KG |
| Qty /CTN                                                                            | 1pcs                   |

## Compliance and Standards

### 1. Insulation Resistance

The IR shall be at least 50MΩ when apply 500Vdc between primary and secondary

### 2. Dielectric Strength (Hi -pot)

Input To Output 3750Vac 60Hz 1minute  $\leq 3\text{MA}$

When AC voltage of 3.75KV is applied, and the voltage applied to the insulation under test is gradually raised from zero to the prescribed voltage in 1s, and held at that value for 60s between the inputs. and output and between the input and housing, the current sensitivity shall be less than 5mA. After this test, the adapter shall exhibit no electrical and mechanical abnormalities.

### 3. Leakage Current

The leakage current shall be less than 0.25m A for class II when power supply is operated maximum input voltage and maximum load.

### 4. Safety Standard

34A-1501NP IEC:60598-1:2008 IEC61347-1/A1:2010 IEC61347-2-13:2006 IEC62031:2008

IEC62471:2006 IEC62471-2:2009: Passed

EN60598-1/A11:2009 EN61347-2-13:2006 EN61347-1/A1:2011 EN62031:2008 EN62471:2008

EN61195:1999 EN62493:2010: Passed

### 5. EMI/EMS Standard

EN55015:Passed

EN61000-3-2:Passed

EN61000-4-2:Passed