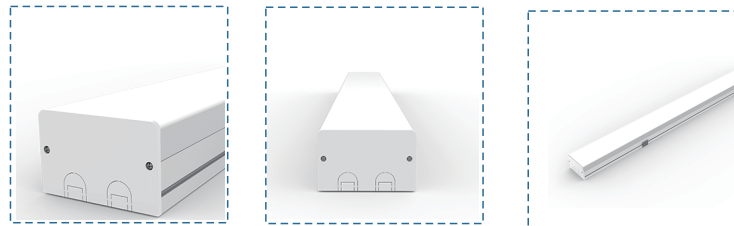


LED BATTEN LIGHT-F

0.6/1.2/1.5M 10-24W



Features

- Power supply efficiency is more than 90%
- Life span: >30,000hrs
- Saves up to 70% Energy, Lighting efficiency up to 140-170lm/W
- Light Source: Lumen Max SMD 2835
- Material: frosted PC cover
- No Buzzing
- Environmental-friendly and less hazardous without mercury
- No Radio Frequency Interference
- Fast Return on Investment

Certificates



Application

Replacement for conventional fluorescent tubes

Hotels
 Conference/meeting rooms
 Factories
 Offices
 Commercial complexes
 Residential / institution buildings
 Schools, colleges, and universities
 Hospitals
 Supermarkets
 Subways
 Warehouses
 Railway Stations
 Airports



Technical Specification

Item	UL-BT10W-600-F	UL-BT12W-600-F	UL-BT14W-600-F	UL-BT16W-600-F	UL-BT18W-600-F	UL-BT20W-600-F
Lumen	1500lm	1800lm	2100lm	2400lm	2700lm	3000lm
Lumen Efficiency	150lm/W	150lm/W	150lm/W	150lm/W	150lm/W	150lm/W
Size (mm)	600X66X104mm		600X66X104mm		600X66X104mm	
Voltage	AC200-240V~50/60Hz					
CCT	2700K-6500K					
Beam Angle	120°					
PF	>0.9					
CRI	Ra>80					
IP Rank	IP20					
Material	OPAL+PC					

Item	UL-BT22W-600-F	UL-BT24W-600-F
Lumen	3300lm	3600lm
Lumen Efficiency	150lm/W	150lm/W
Size (mm)	600X66X104mm	600X66X104mm
Voltage	AC200-240V~50/60Hz	
CCT	2700K-6500K	
Beam Angle	120°	
PF	>0.9	
CRI	Ra>80	
IP Rank	IP20	
Material	OPAL+PC	

Item	UL-BT10W- 1200-F	UL-BT12W- 1200-F	UL-BT14W-1200-F	UL-BT16W-1200-F	UL-BT18W-1200-F	UL-BT20W-1200-F
Lumen	1500lm	1800lm	2100lm	2400lm	2700lm	3000lm
Lumen Efficiency	150lm/W	150lm/W	150lm/W	150lm/W	150lm/W	150lm/W
Size (mm)	1200X66X104mm		1200X66X104mm		1200X66X104mm	
Voltage	AC200-240V~50/60Hz					
CCT	2700K-6500K					
Beam Angle	120°					
PF	>0.9					
CRI	Ra>80					
IP Rank	IP20					
Material	OPAL+PC					

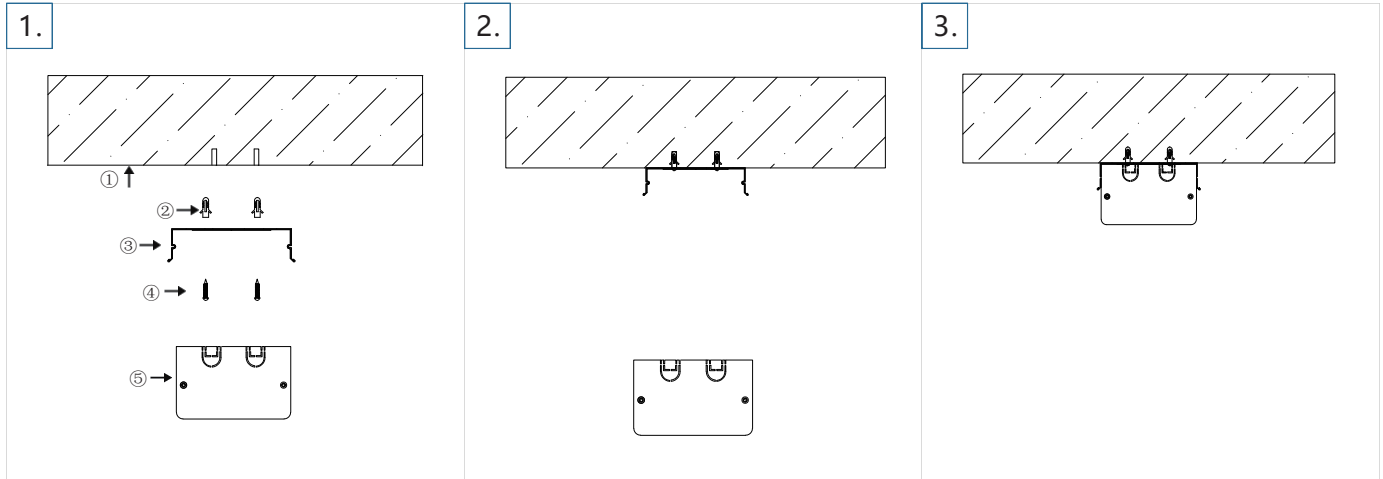
Item	UL-BT22W- 1200-F	UL-BT24W- 1200-F
Lumen	3300lm	3600lm
Lumen Efficiency	150lm/W	150lm/W
Size (mm)	1200X66X104mm	1200X66X104mm
Voltage	AC200-240V~50/60Hz	
CCT	2700K-6500K	
Beam Angle	120°	
PF	>0.9	
CRI	Ra>80	
IP Rank	IP20	
Material	OPAL+PC	

Item	UL-BT10W- 1500-F	UL-BT12W- 1500-F	UL-BT14W-1500-F	UL-BT16W-1500-F	UL-BT18W-1500-F	UL-BT20W-1500-F
Lumen	1500lm	1800lm	2100lm	2400lm	2700lm	3000lm
Lumen Efficiency	150lm/W	150lm/W	150lm/W	150lm/W	150lm/W	150lm/W
Size (mm)	1500X66X104mm		1500X66X104mm		1500X66X104mm	
Voltage	AC200-240V~50/60Hz					
CCT	2700K-6500K					
Beam Angle	120°					
PF	>0.9					
CRI	Ra>80					
IP Rank	IP20					
Material	OPAL+PC					

Item	UL-BT22W- 1500-F	UL-BT24W- 1500-F
Lumen	3300lm	3600lm
Lumen Efficiency	150lm/W	150lm/W
Size (mm)	1500X66X104mm	1500X66X104mm
Voltage	AC200-240V~50/60Hz	
CCT	2700K-6500K	
Beam Angle	120°	
PF	>0.9	
CRI	Ra>80	
IP Rank	IP20	
Material	OPAL+PC	

Installation

Installation scheme 1

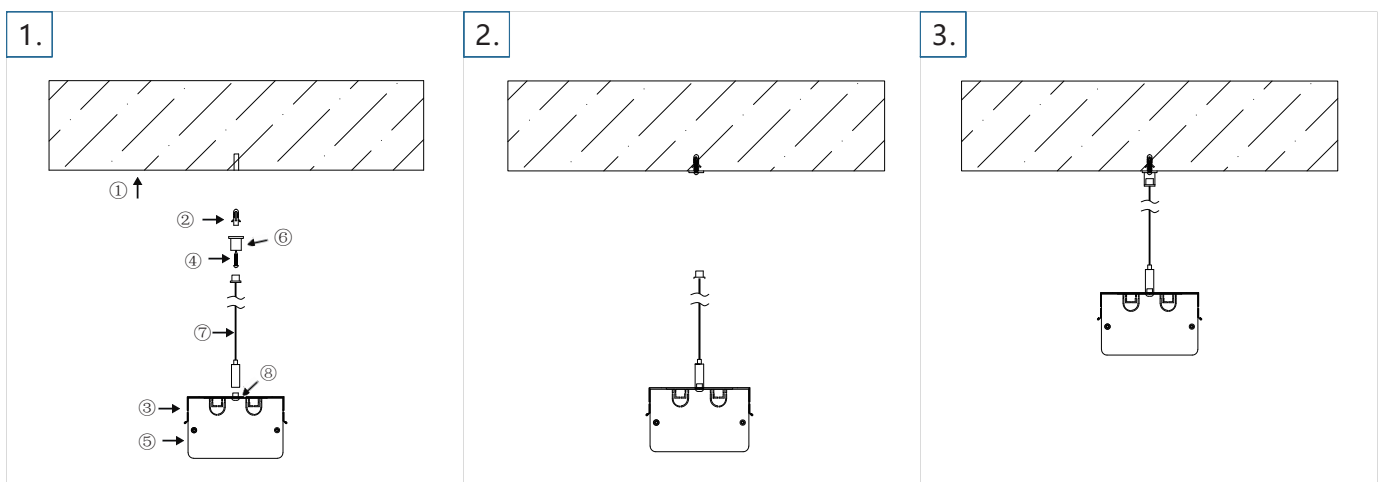


- ① Ceiling ② expansion piece
 ③ stainless steel clasp
 ④ expansion bolt ⑤ batten
 ⑥ pendant wire part 1 ⑦ pendant wire part 2
 ⑧ pendant wire part 3

Fix the stainless steel clasp on the ceiling with expansion bolt

To finish connecting the fitting cable, and fix on the stainless steel clasp

Installation scheme 2



Use the expansion bolt to fix the pendant wire of the part 1 on the ceiling.

Use the expansion bolt of part 3 to through the stainless steel clasp, to connect the part 2 of pendant wire.

Connect part 2 with pendant wire with part 1.



soft light, high color rendering
No dark areas are easy to clean and not easy to yellow

The PC end cover is fixed on the aluminum alloy lamp body with stainless steel screws



Aviation aluminum lamp body

Made of high quality aerospace aluminum, oxidized
No rust, no fading, beautiful appearance