

LED Solar Street Light-I

40W/50W/60W/80W/100W/120W



Features

Integrated design, simple and convenient to install
Solar power supply, long life span and energy saving



High Cost
Performance



High Quality



High Brightness



5-7 Cloudy/
Rainy Days



Human Body
Induction



Remote Control



Adjustable Bracket



IP65 Waterproof



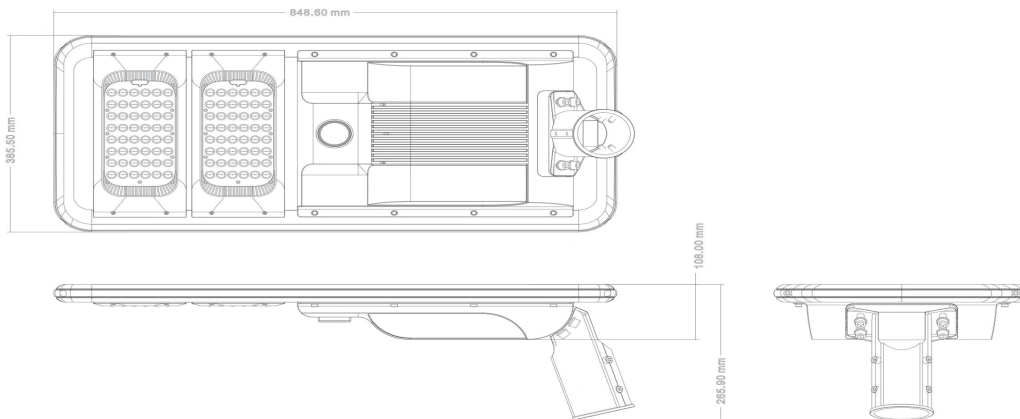
Application

High way/ Patio lighting/Building Parking/Bike Path/Suitable for Courtyard/Garden/Park/ Street/Roadway/Pathway/Parking Lot/Private Road/Sidewalk/Public Square/Plaza.

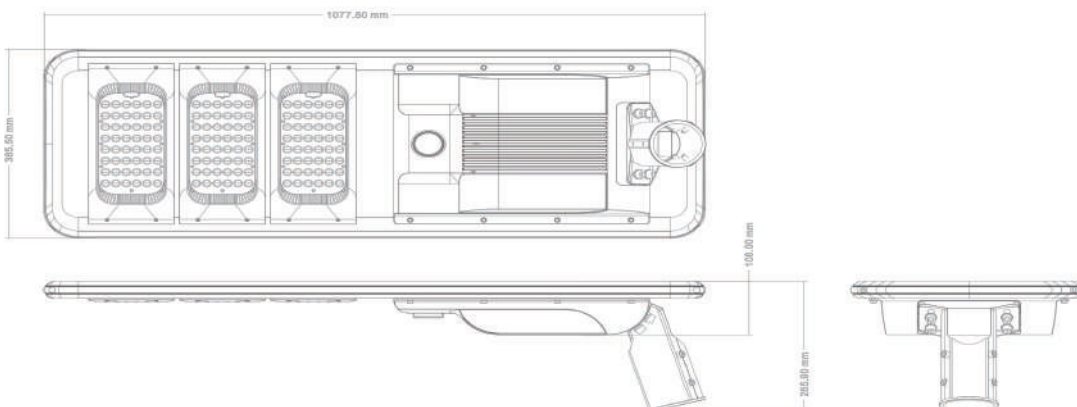


Dimension(Unit:mm)

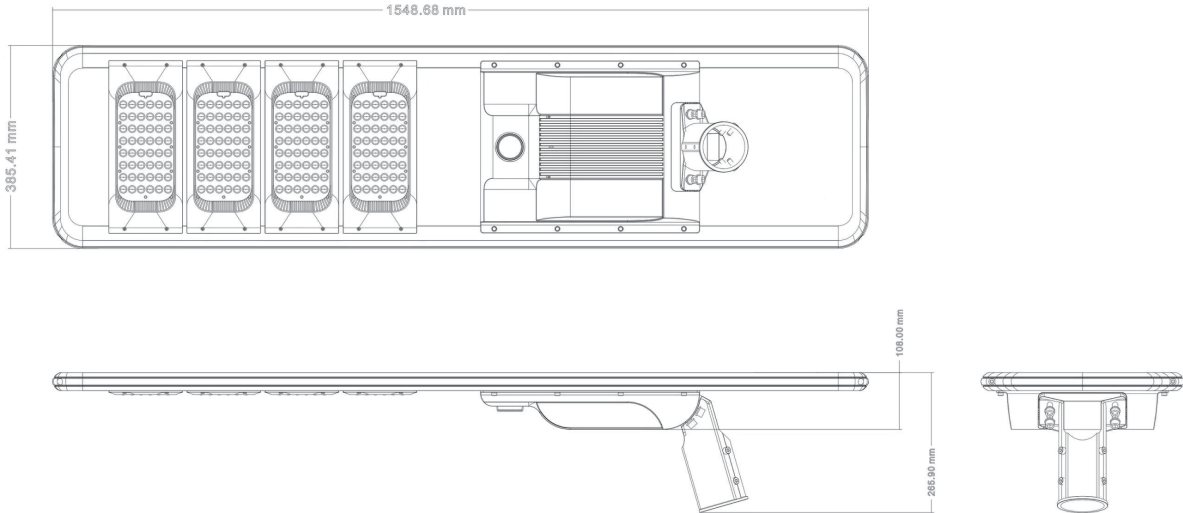
FX-40W :



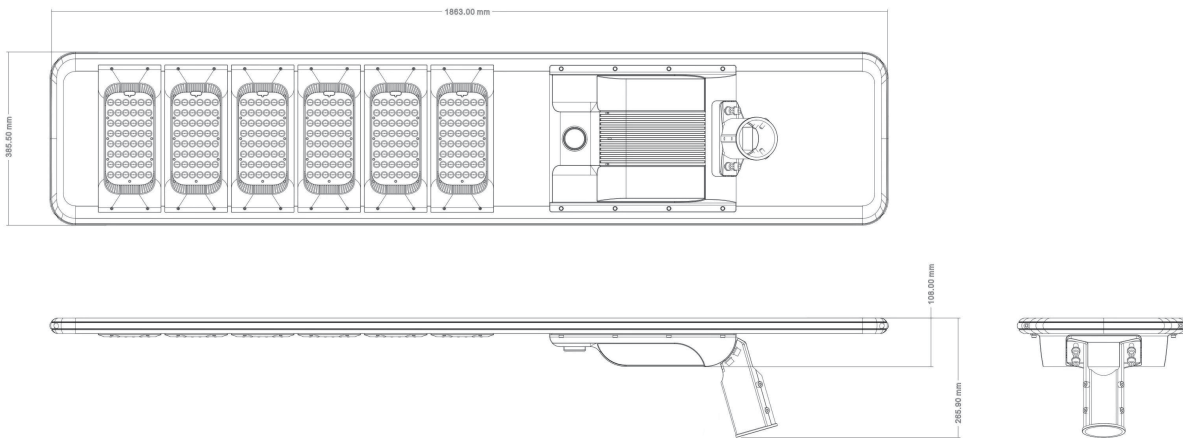
FX-50W/60W :



FX-80W:

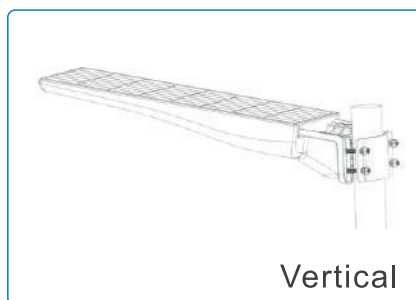
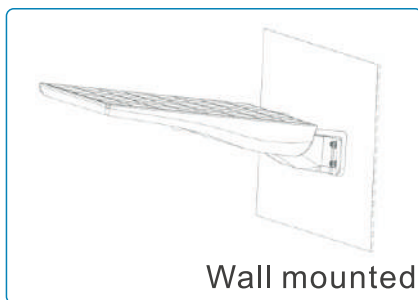


FX-100W/120W:



Installation Diagram

triple ways of installation



Specifications

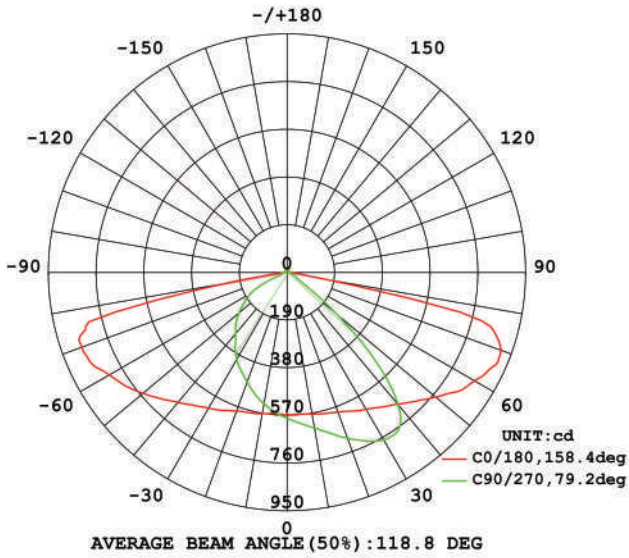
Item	UL-SSI-40W	UL-SSI-50W	UL-SSI-60W	UL-SSI-80W	UL-SSI-100W	UL-SSI-120W
Lumen	6800lm	8500lm	10200lm	13600lm	17000lm	20400lm
Size (mm)	920*160*450mm	1140*160*450mm	1140*160*450mm	1620*100*450mm	1940*100*450mm	1940*100*450mm
LifePO4 Battery	230.4WH 12.8V	307.2WH 12.8V	384WH 12.8V	460.8WH 12.8V	614.4WH 12.8V	691.2WH 12.8V
Lumen Efficiency	170lm/W					
LED Lamp	96PCS	144PCS	144PCS	192PCS	288PCS	288PCS
Install Pole diameter	70-76mm					
Mounting Height	6~7m	6~8m	6~8m	8~9m	9~11m	10~12m
Solar Charging Time	6H					
Colour Temperture	6000K ~6500K (it can be customized)					
IP Rank	IP65					
Certificates	CE、ROHS、IP66					
G.W.	12.2kg	14kg	14.5kg	11.2kg	12.5kg	12.5kg

Packing

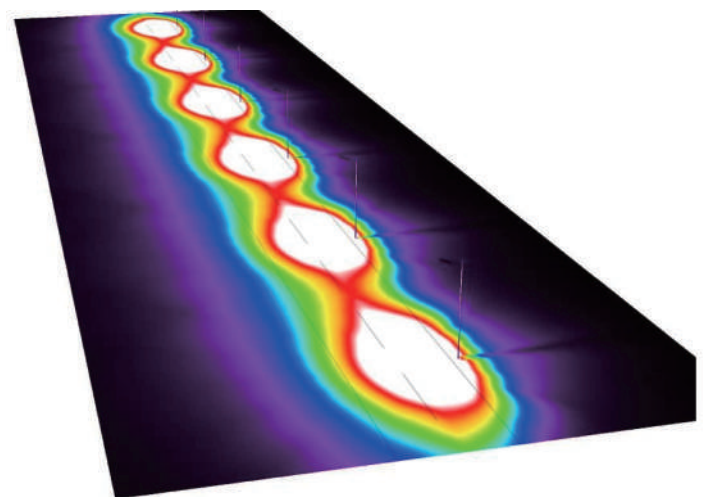
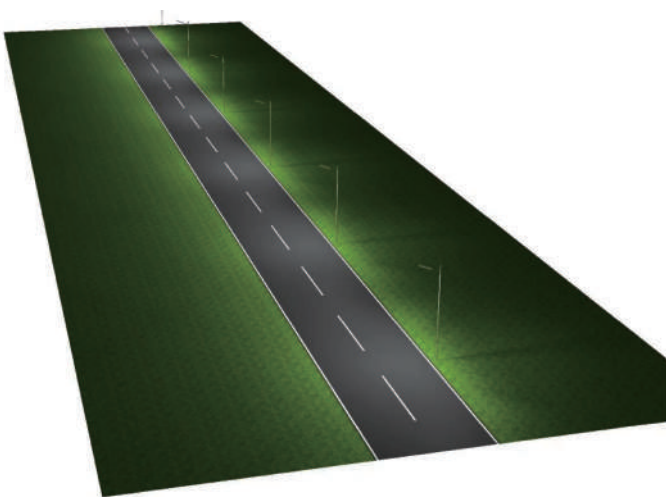
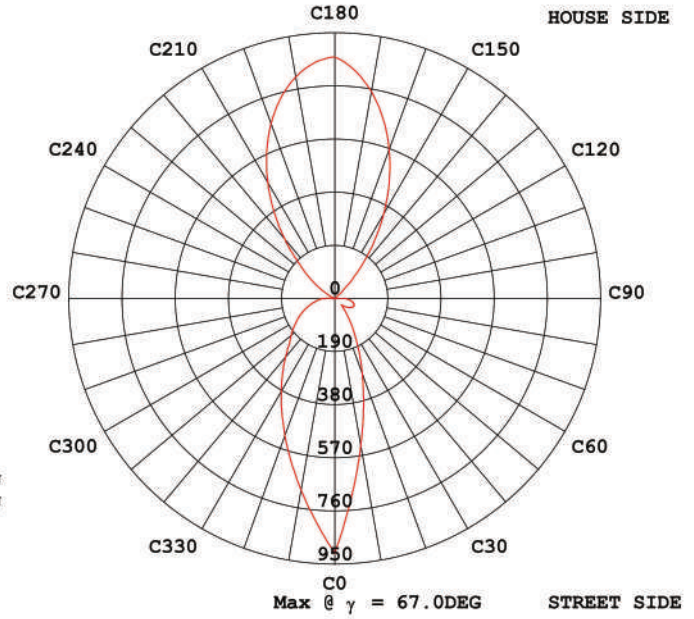
MODEL	UL-SSI-40W	UL-SSI-50W	UL-SSI-60W	UL-SSI-80W	UL-SSI-100W	UL-SSI-120W
Battery box packing size	630*380*150MM					
Q'ty/ctn	1 Set					
Packs Containers(20GP)	420Sets	340Sets	340Sets	260Sets	230Sets	230Sets
Packs Containers(40GP)	860Sets	700Sets	700Sets	520Sets	460Sets	460Sets
Packs Containers(40HQ)	1030Sets	830Sets	830Sets	630Sets	550Sets	550Sets
G.W.				8.5kg	9.7kg	10.3kg

Photometric Diagrams:

INTENSITY DISTRIBUTION DIAGRAM
IN C PLANS

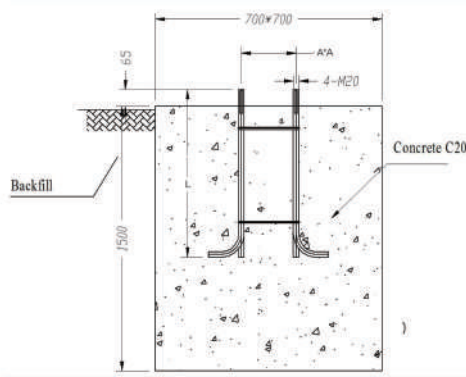


MAX INTENSITY CONE SURFACE
DISTRIBUTION DIAGRAM

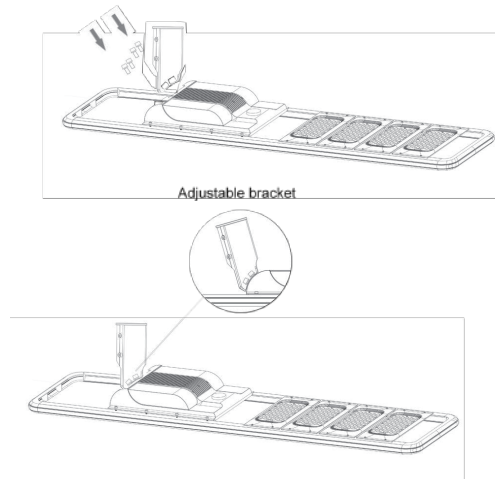


Installation Instruction:

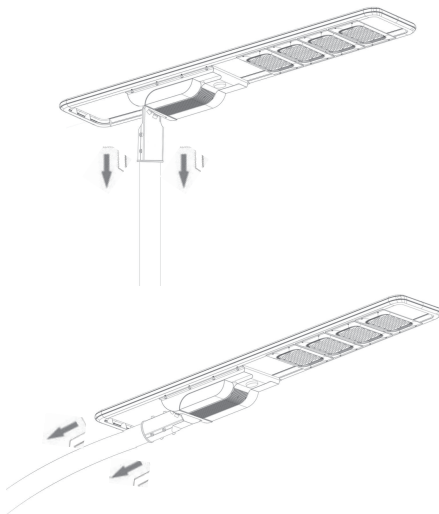
1. Dig a hole according to the size of the foundation cage, put the foundation cage into the hole and fix it with concrete.



2. Use the supplied screws to fix the bracket on the lamp.



3. Use the supplied screws to fix the lamp on the pole.



4. Lift the lamp pole by the person or machine, align the bottom flange of the lamp pole with the foundation cage, and then fix the lamp pole with screws.

