

LED Down Light

9W



Featur

CRI > 80; PF > 0.9
Color option: 3000K/4000K/5000K
Life Span > 36000hrs
2 Years warranty



Technical Specifications

Material	Plastic and aluminum
Housing Color	White/Silver
CCT	3000K/4000K/5000K
Input Voltage	AC220-240V
PF	0.89-0.92
Light source	SMD 2835
IP rate	IP 40
Life span	36,000H

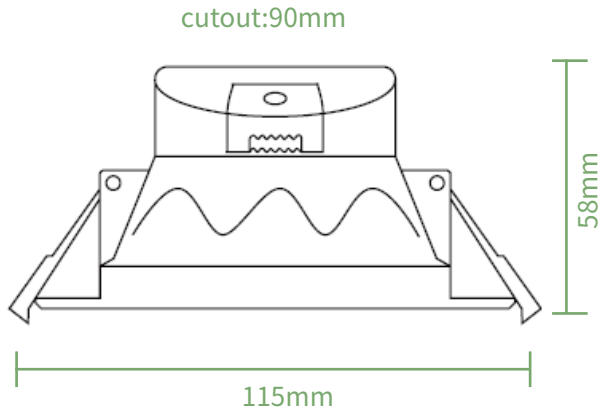


Application

Application Suitable for indoor lighting in hotels, homes, cafes, shopping malls, offices, factories, hospitals, etc



Dimension (Unit: mm)

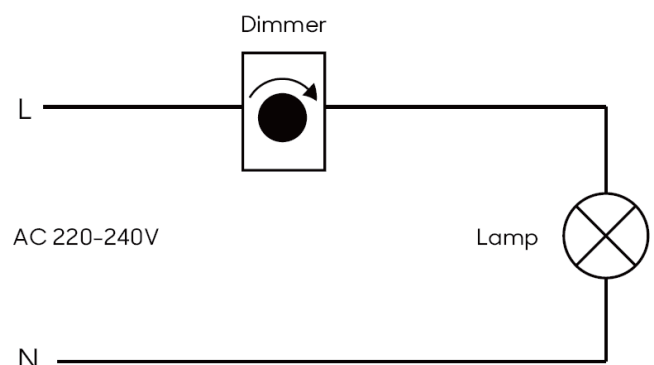


Installation Schematic Diagram:

Dimmer Lamp

Note:

- 1、Don't take LED lamp apart
- 2、Only indoor used
- 3、The LED lamp must work under the right voltage according to the specification
- 4、Application in enclosed fixtures may speeds up lumen depreclation and shorten lamp life
- 5、Lamo not suitable for use under dust and moisture



Technical Parameter

Item	Wattage	Lumen Efficiency	Voltage	CRI	Beam Angle	CCT	Lumens	Dimension	cut-out
ULDL-9W-ACCT	9W	100lm/W	AC220-240V	> 80	110°	3000K/4000K /5000K	900lm	Dia115*58mm	φ90mm

Installation steps:

1 . Open the hole on the ceiling according to the lamps cut-out requirement , as Figure 1 shown

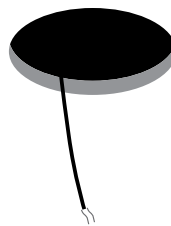


Figure 1

2 . Connect the LED drivers input end to AC220V , as Figure 2 shown

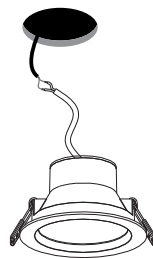


Figure 2

3 . Make sure keep the connection of the LED lamp and the LED driver , then pull the lamp spring up and push the lamp into the installation hole , as Figure 3 shown

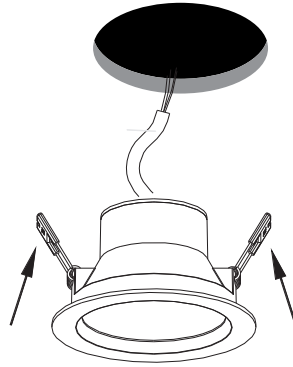


Figure 3

4 . Turn on the power switch to enjoy the LED lighting , as Figure 4 shown

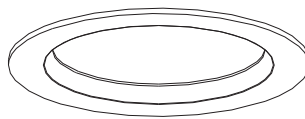


Figure 4