

LED Down High-C

4W/5W/9W



Featur

- CRI > 80; PF > 0.9
- Color option: 2700K-6500K
- Life Span > 30000hrs
- 3 Years warranty

CCT Changeable



Technical Specifications

Material	Plastic and aluminum
Housing Color	White/Silver
CCT	3000K/4000K/5000K/6000K
Input Voltage	AC200-240V
PF	0.89-0.92
Light source	Epistar SMD 2835
IP rate	IP 40
Life span	30,000H



AU 2pin plug



Dimmable*



36,000H



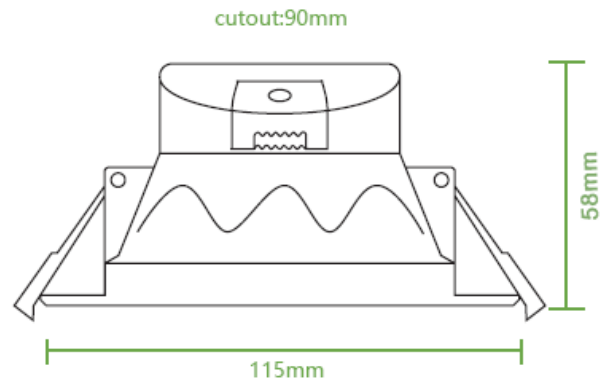
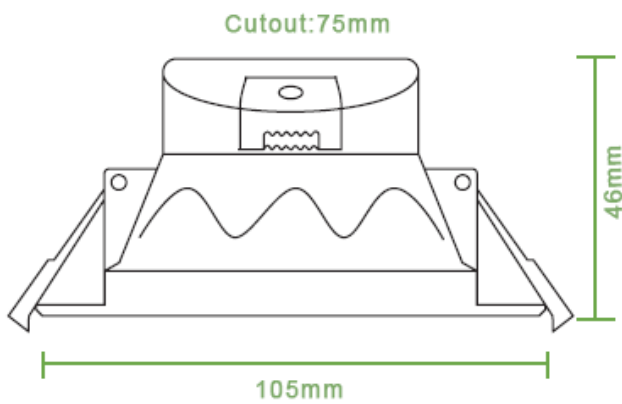
IC-4
ABUTTED
COVERED

Application

Application Suitable for indoor lighting in hotels, homes, cafes, shopping malls, offices, factories, hospitals, etc



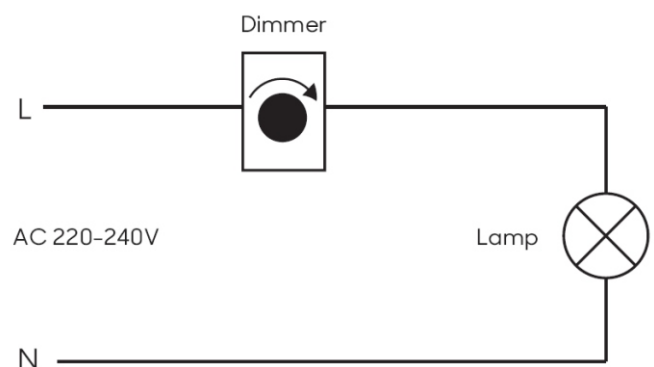
Dimension (Unit: mm)



Installation Schematic Diagram: Dimmer Lamp

Note:

- 1、 Don't take LED lamp apart
- 2、 Only indoor used
- 3、 The LED lamp must work under the right voltage according to the specification
- 4、 Application in enclosed fixtures may speeds up lumen depreclation and shorten lamp life
- 5、 Lamo not suitable for use under dust and moisture



Technical Parameter

Item	Wattage	Lumen Efficiency	Voltage	CRI	Beam Angle	CCT	Lumens	Dimension	cut-out
ULDL-4W-C	4W	120lm/W	AC220-240V	> 80	100°	3000-6500K	480lm	Dia105*46mm	φ75mm
ULDL-5W-C	5W	110lm/W					550lm		
ULDL-9W-C	9W	110lm/W			90°		990lm	Dia115*58mm	φ90mm

Installation steps:

1 . Open the hole on the ceiling according to the lamps cut-out requirement , as Figure 1 shown

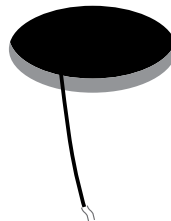


Figure 1

2 . Connect the LED drivers input end to AC220V , as Figure 2 shown

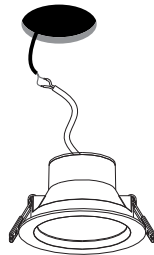


Figure 2

3 . Make sure keep the connection of the LED lamp and the LED driver , then pull the lamp spring up and push the lamp into the installation hole , as Figure 3 shown

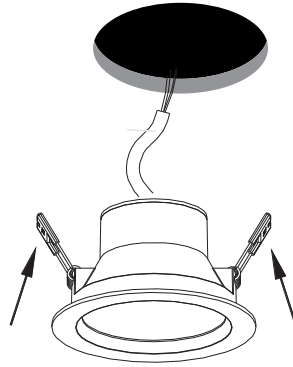


Figure 3

4 . Turn on the power switch to enjoy the LED lighting , as Figure 4 shown

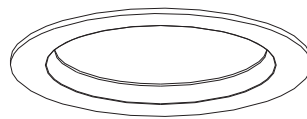


Figure 4