

# LED Flood Light-B

100W

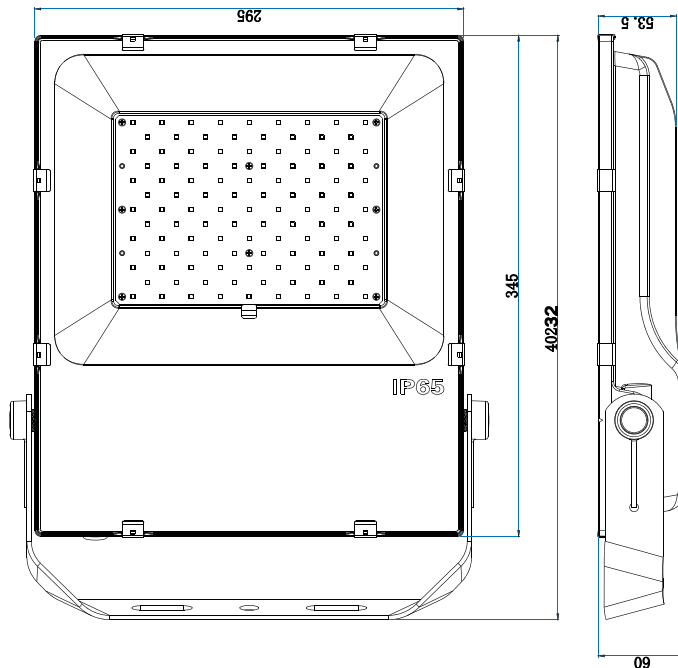


## Application

Billboard, Road, Tunnel, Building, Bridges and culverts, Square, etc.



## Dimension (Unit: mm)

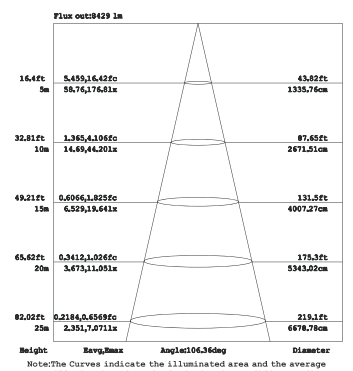
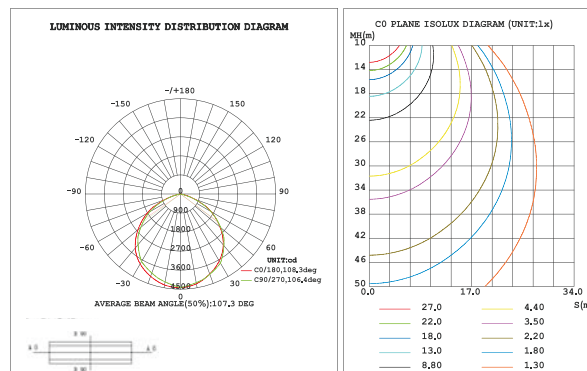
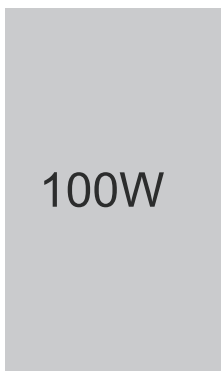


**100W**

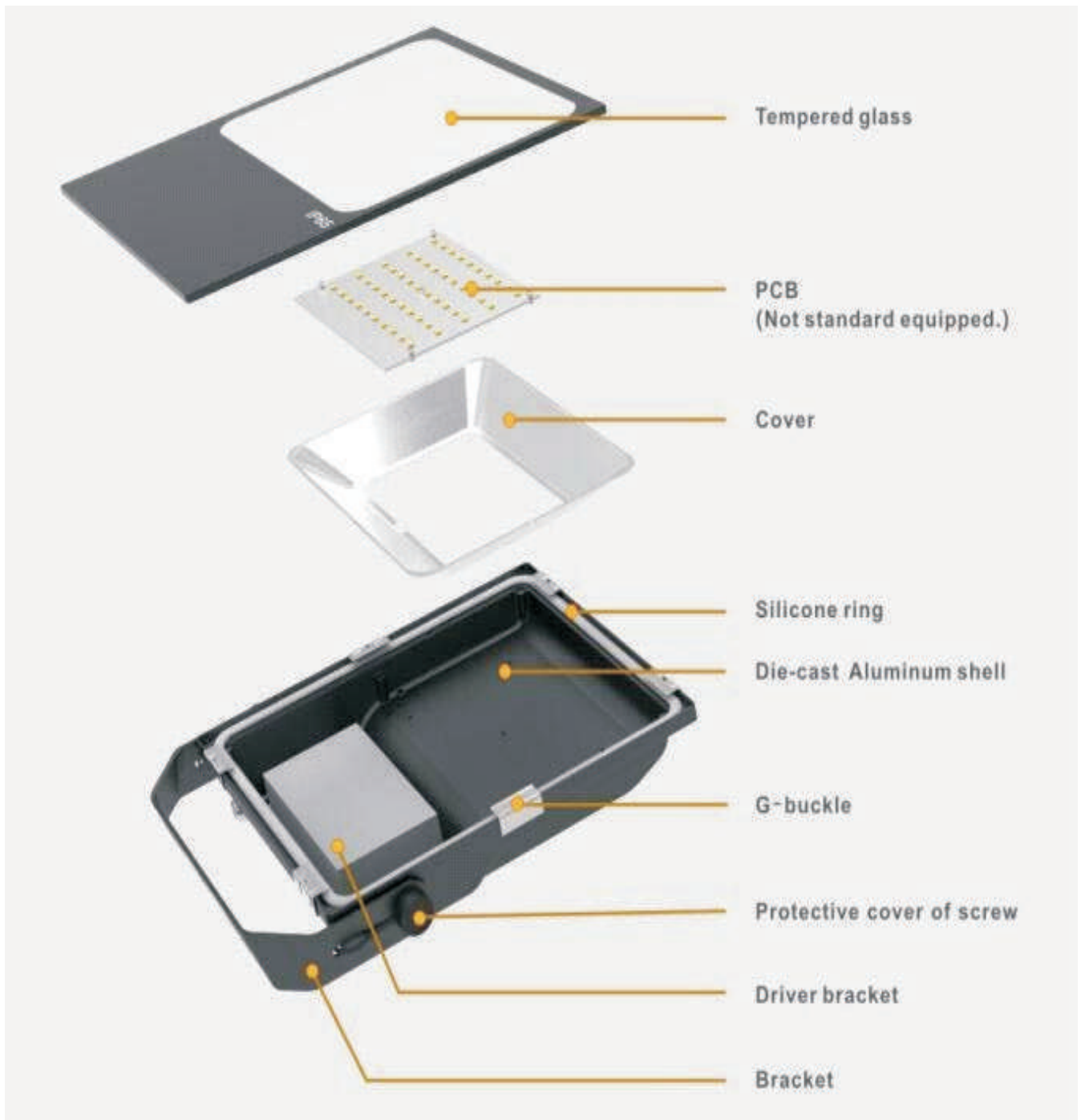
## Technical Specification

Item	ULFL-100W-B
Dimension	402.32*295*60 mm
Voltage	AC85V-265V~50/60Hz
Power	100W
LED Driver	MEANWELL/SOSEN
LED Type	Philips3030/Nichia
LED Quantity	100PCS
Lumen(±10%)	12000lm
Color Temperature(CCT)	2700K-6500K
Beam Angel	120°
Color Rendering Index(CRI)	Ra>80
Power Supply Efficiency	>95%
LED Luminous Efficiency	Up to 120lm/W
Power Factor(PF)	>0.95
Total Harmonic Distortion(THD)	≤15%
IP Rank	IP 65
Certificate	C-TICK, SAA, CE, CB
Material	AL+Glass

## Plane Isolux Curve & Illumination Cone Curve



## Layers



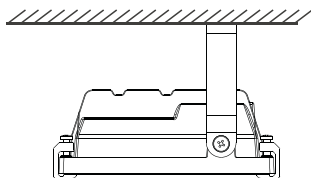
## Installation

### Attention before installation:

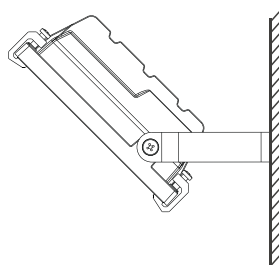
- Open the packing and check the product tenderly
- If any damage, please contact your seller.
- Do not use the defective product.
- Installed by licensed electrician
- Disassembly and repair is prohibited by non professional person, warranty is not offered to those products which are disassembled and repaired

### Installation:

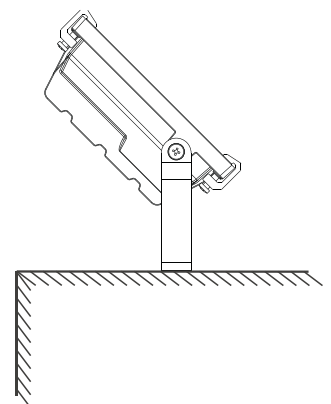
- Make sure power is off before installation
- Make two holes as “A” and tight with screws
- Rotate the light to adjust the needed lighting angle
- Connect light with LED driver.
- Connect cable
- Turn it on



B:Ceiling installing



B:Wall mounted installing

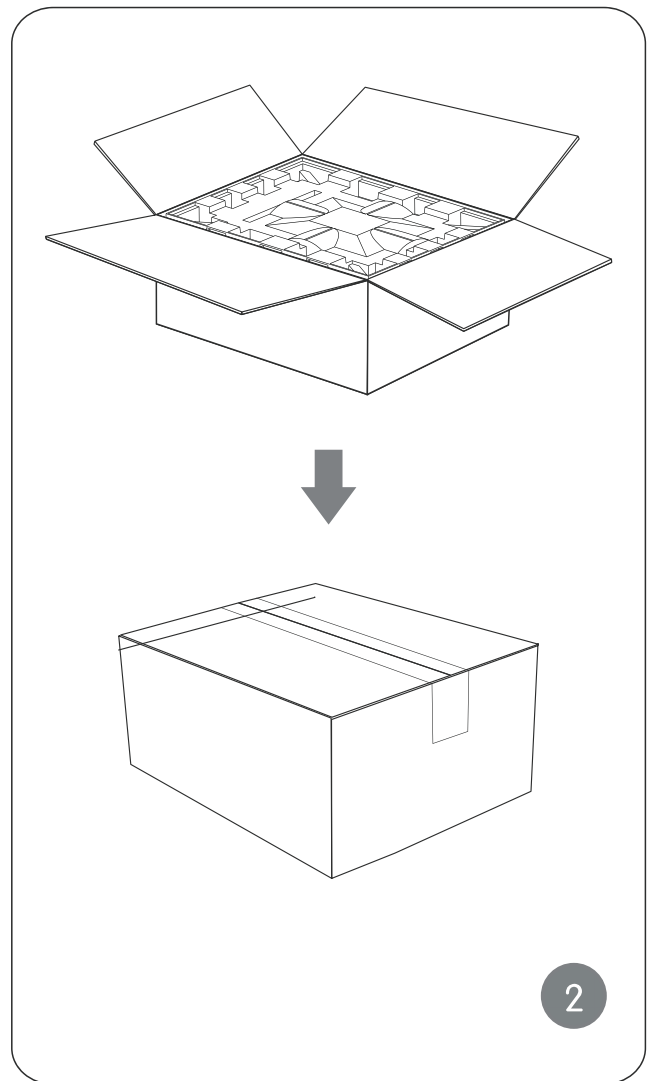
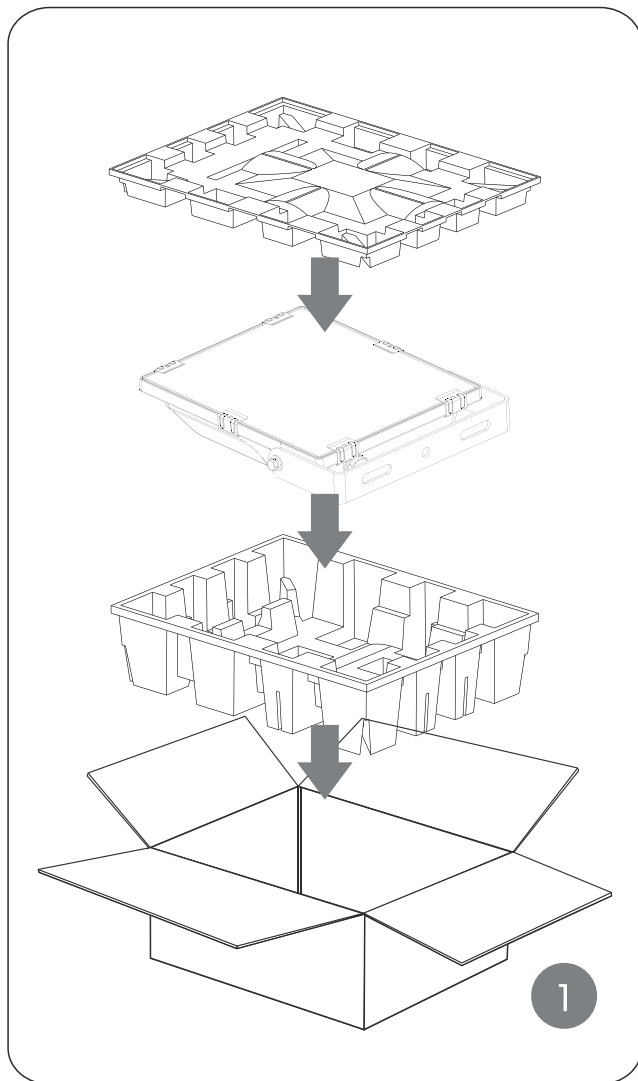


C: Vertical installing

# Packing

## A:Packing Information

<b>Item</b>	<b>ULFL-100W-B</b>
Box Size	51*43*13.5 cm
G.W.	4.2KG
QTY/Box	1pcs



## Compliance and Standards

### 1. Insulation Resistance

The IR shall be at least 50MΩ when apply 500Vdc between primary and secondary

### 2. Dielectric Strength (Hi -pot)

Input To Output 3750Vac 60Hz 1minute  $\leq$ 3MA

When AC voltage of 3.75KV is applied, and the voltage applied to the insulation under test is gradually raised from zero to the prescribed voltage in 1s, and held at that value for 60s between the inputs and output and between the input and housing, the current sensitivity shall be less than 5mA. After this test, the adapter shall exhibit no electrical and mechanical abnormalities.

### 3. Leakage Current

The leakage current shall be less than 0.25mA for class II when power supply is operated maximum input voltage and maximum load.

### 4. Safety Standard

3A-1501NP IEC:60598-1:2008 IEC61347-1/A1:2010 IEC61347-2-13:2006 IEC62031:2008  
IEC62471:2006 IEC62471-2:2009: Passed  
EN60598-1/A11:2009 EN61347-2-13:2006 EN61347-1/A1:2011 EN62031:2008 EN62471:2008  
EN61195:1999 EN62493:2010: Passed

### 5. EMI/EMS Standard

EN55015: Passed  
EN61000-3-2: Passed  
EN61000-4-2: Passed