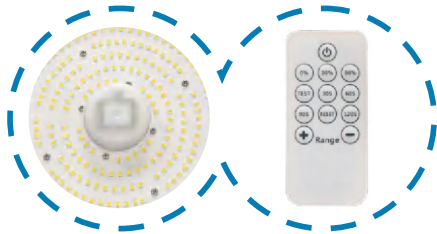


# LED High Bay Light

100W / 150W / 200W



## Features

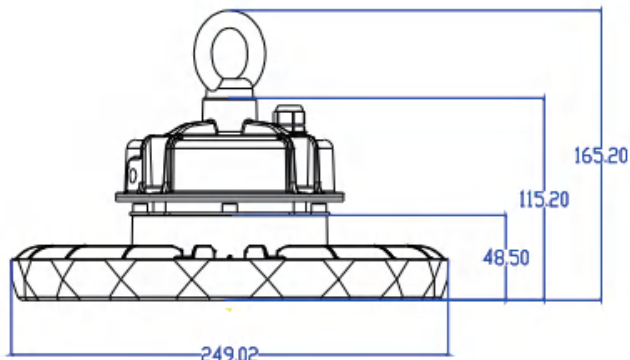
- Cold forging process with high stability.
- High luminous flux efficiency and good color rendering.
- No flickering, no dazzling and high brightness.
- Long life span, 5 years warranty.
- OEM available.
- Remoted control Available.



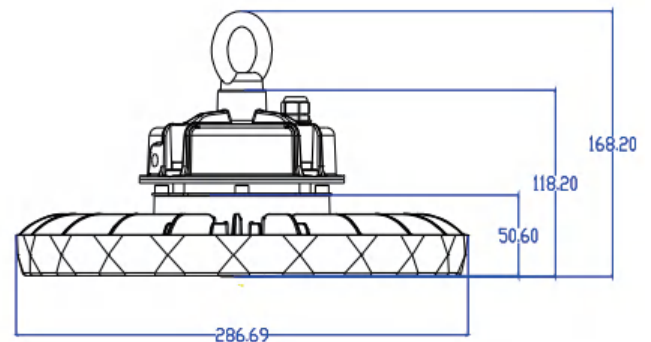
# Specifications

Model No	UL-H100W-HS-2	UL-H150W-HS-2	UL-H200W-HS-2
Power	100W	150W	200W
Dimension	249*165mm	286*168mm	328*174mm
Voltage	AC220-240V		
Material	AL+Tempered Glass		
Light Efficiency	190LM/W		
Lumen (±10%)	19000LM	28500LM	38000LM
Color Temperature ( CCT )	5500K		
Beam Angel	120°		
Color Rendering Index ( CRI )	Ra>70		
LED Type	SMD2835		
Power Factor ( PF )	>0.95		
IP Rank	IP65		

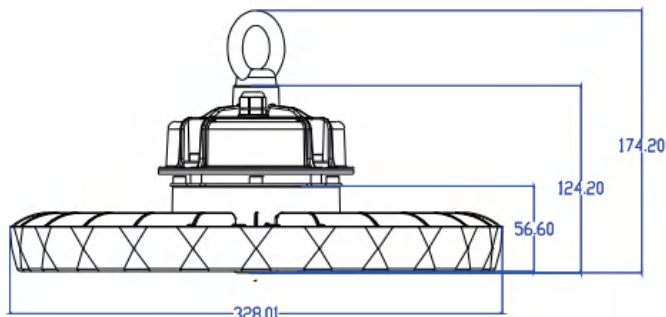
## Dimension(Unit:mm)



**100W**



**150W**



**200W**

## Application

This product is suitable for factories, workshops, warehouse, toll stations, gas stations, stadiums, supermarket, exhibition, commercial building, stadium hall, parking building etc.





## Warning


**Please read these instructions carefully before commencing any work.**


- This unit must be fitted by a competent and qualified electrician.
- To avoid damage, falling, electric shock, or fire, please do not modify the lamp and replace accessories without confirming with the supplier.
- Maintenance/installation and replacement of the lamp, please confirm to cut off the power supply, and the lamp has set up a cooling. Please make sure the lamp has been properly installed before processing power.
- Ensure the lamp is in an accurate and reliable connection.
- Ensure that the product around the vent, and the lamp cannot violate any fire prevention regulations when used.


# Remote For Dimming Sensors




**Open button**  
 Press to open the sensor mode.  
 (Default setting: standby 30mins and then dimming down to its 50% luminosity)


**Dimming option**  
 Dimming option: 0% / 20% / 50% luminosity

**Time duration**  
 Press 30s/60s/5min/15min and 30min as default setting

**Detection area**  
 Press + / - button to choose your preferable detection area.  
 (pre-set: 100% 12m†, press - to define the minimum 6m)

**Daylight option**  
 Press TEST once to close daylight mode;  
 Press TEST twice to open daylight mode

## Attention

1. Please press  first if you want to change any setting.
2. When press any button, the light will flicker, it means the setting was recorded by the sensor.