

LED High Bay Light

100W / 150W / 200W



Features

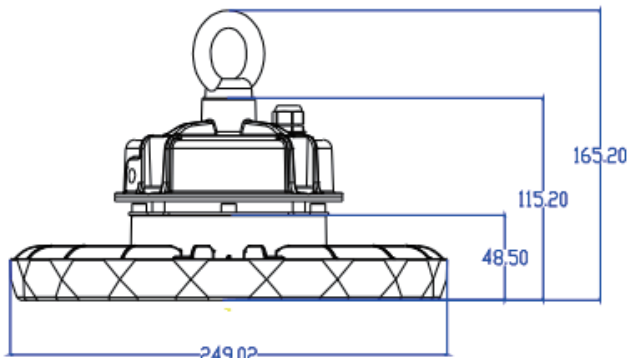
- Cold forging process with high stability.
- High luminous flux efficiency and good color rendering.
- No flickering, no dazzling and high brightness.
- Long life span, 5 years warranty.
- OEM available.
- Remoted control Available.



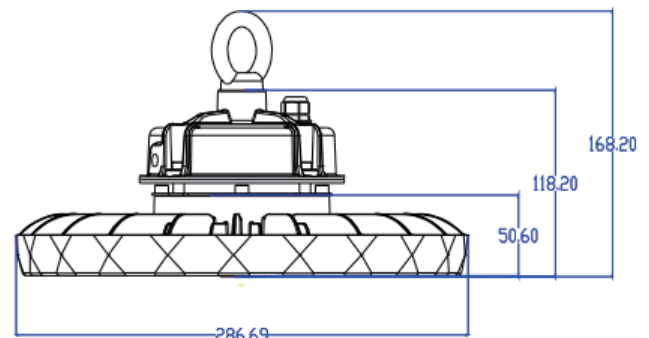
Specifications

| Model No | UL-H100W-HS-2 | UL-H150W-HS-2 | UL-H200W-HS-2 |
|-------------------------------|-------------------|---------------|---------------|
| Power | 100W | 150W | 200W |
| Dimension | 249*165mm | 286*168mm | 328*174mm |
| Voltage | AC220-240V | | |
| Material | AL+Tempered Glass | | |
| Light Efficiency | 190LM/W | | |
| Lumen (±10%) | 19000LM | 28500LM | 38000LM |
| Color Temperature (CCT) | 5500K | | |
| Beam Angel | 120° | | |
| Color Rendering Index (CRI) | Ra>70 | | |
| LED Type | SMD2835 | | |
| Power Factor (PF) | >0.95 | | |
| IP Rank | IP65 | | |

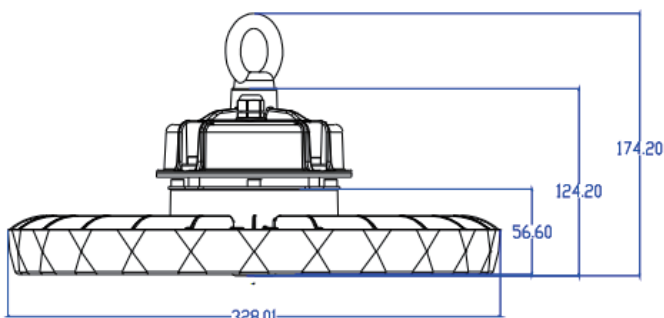
Dimension(Unit:mm)



100W



150W



200W

Application

This product is suitable for factories, workshops, warehouse, toll stations, gas stations, stadiums, supermarket, exhibition, commercial building, stadium hall, parking building etc.

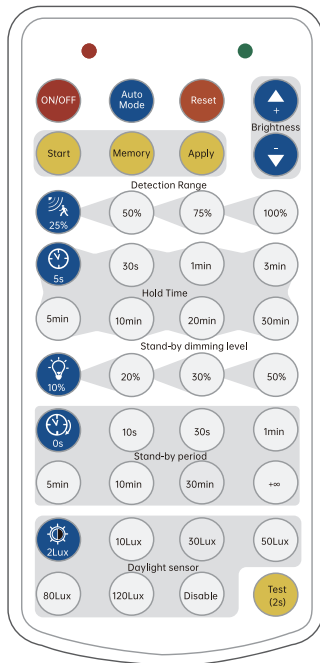


Warning














Please read these instructions carefully before commencing any work.

- This unit must be fitted by a competent and qualified electrician.
- To avoid damage, falling, electric shock, or fire, please do not modify the lamp and replace accessories without confirming with the supplier.
- Maintenance/installation and replacement of the lamp, please confirm to cut off the power supply, and the lamp has set up a cooling. Please make sure the lamp has been properly installed before processing power.
- Ensure the lamp is in an accurate and reliable connection.
- Ensure that the product around the vent, and the lamp cannot violate any fire prevention regulations when used.

Remote For Dimming Sensors



Programable IR Remote Controller User Manual

| Key | Function | Performance |
|---|------------------------|---|
|  | ON/OFF | <ol style="list-style-type: none"> 1. Switch ON/OFF the light. 2. Turn on the light as permanent on without sensor mode. |
|  | Auto Mode | Switch to sensor mode and all sensor settings will recovery to the latest setting. |
|  | Reset | Reset the sensor to default mode: 100% brightness, hold time 5min, stand-by period +∞, 100% sensitivity, daylight sensor diasable. |
|  | +/- Brightness | <ol style="list-style-type: none"> 1. To adjust brightness 20%-100% in on/off mode. 2. To adjust highest brightenss 60%-100% in sensor mode. |
|  | Program Mode | Press "Start" to customize scene, users can change detection range, daylight threshold, holdtime, standby dimming level and standby period. |
|  | Save Setting | <ol style="list-style-type: none"> 1. Press "Memory" to save all the settings. 2. The settings remained as the last time if not get resetted values. |
|  | One Key Apply | <ol style="list-style-type: none"> 1. Press "Apply" to deliver the saved setting. 2. Press "Apply" without "memory" will make all the setting one-time operation. 3. Settings should be done within 30S, otherwise it exits memory mode. |
|  | Detection Range | Detection range (Press to define detection area 100%/75%/50%/25%) |
|  | Hold time | Hold time (Press to define holdtime 5s/30s/1min/3min /5min/10min/ 20min/30min) |
|  | Stand-by dimming level | Stand-by dimming level (Press to define stand-by dimming level 10%/20%/30%/50%.) |
|  | Stand-by period | Stand-by period (Press to define stand-by period 0s/10s/30s/1min/ 5min/10min/30min/+∞.) Note: "0s" means no standby period; "+∞" means unlimited standby period. |
|  | Daylight threshold | Daylight threshold (Press to define daylight level 2Lux/10Lux/30Lux/ 50Lux/80Lux/120Lux/Disable.) Note: Disable means light will be turned on once sensor detects motion no matter what ambient lux. |
|  | Test Mode | Sensor turn to test mode: The light will flash 3 times in 5s, after 5s sensor quit the test mode and resume to the latest setting. |