

LED High Bay Light

60W / 100W / 150W / 200W / 240W / 300W



Features

- Cold forging process with high stability.
- High luminous flux efficiency and good color rendering.
- No flickering, no dazzling and high brightness.
- Long life span, 5 years warranty.
- OEM available.
- Remoted control Available.



Specifications

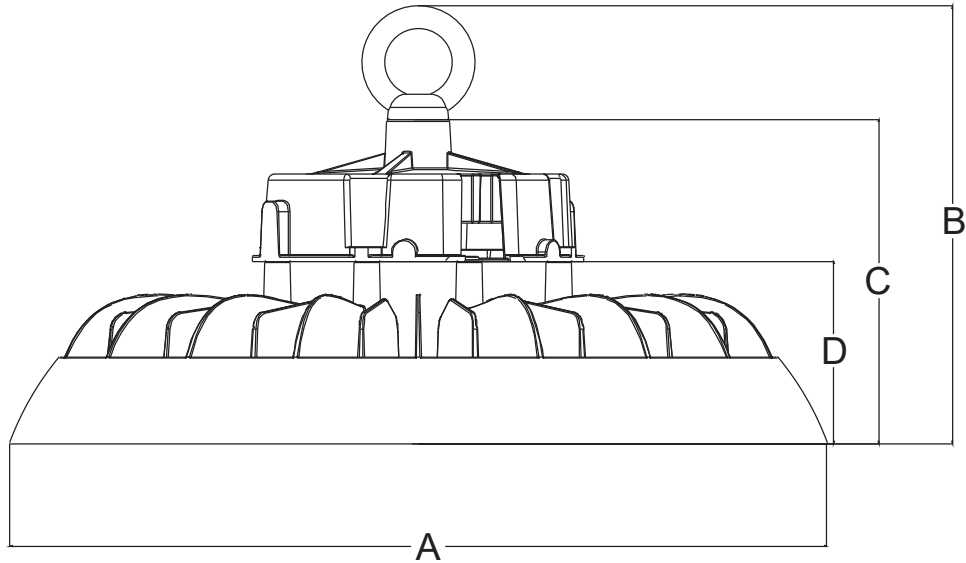
150LM/W

Model No	UL-H60W-16BL	UL-H100W-16BL	UL-H150W-16BL	UL-H200W-16BL	UL-H240W-16BL	UL-H300W-16BL
Power	60W	100W	150W	200W	240W	300W
Driver Brand	ZHIHE/LIFUD					
Voltage	100-277VAC(Option of 100~270V)					
Dimmable	N/A(Options of 0-10V,DALI)					
Light Efficiency	150LM/W					
Lumen (±10%)	9000LM	15000LM	22500LM	30000LM	36000LM	45000LM
Color Temperature (CCT)	3000K-6000K					
Beam Angel	60°/90°/120°					
Color Rendering Index (CRI)	Ra>80					
LED Type	SMD2835					
Power Factor (PF)	>0.93					
IP Rank	IP65					
Body Material	Die CastAluminium Housing					
Cable Length	350mm(Input)					

190LM/W

Model No	UL-H60W-16BL	UL-H100W-16BL	UL-H150W-16BL	UL-H200W-16BL	UL-H240W-16BL	UL-H300W-16BL
Power	60W	100W	150W	200W	240W	300W
Driver Brand	ZHIHE/LIFUD					
Voltage	100-277VAC(Option of 100~270V)					
Dimmable	N/A(Options of 0-10V,DALI)					
Light Efficiency	190LM/W					
Lumen (±10%)	11400LM	19000LM	28500LM	38000LM	45600LM	57000LM
Color Temperature (CCT)	3000K-6000K					
Beam Angel	60°/90°/120°					
Color Rendering Index (CRI)	Ra>80					
LED Type	SMD2835					
Power Factor (PF)	>0.93					
IP Rank	IP65					
Body Material	Die CastAluminium Housing					
Cable Length	350mm(Input)					

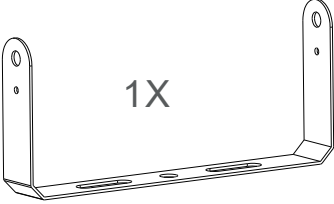




Dimension(Unit:mm)



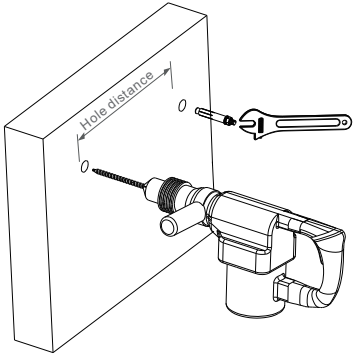
MODEL	DIMMENSION (mm)			
	A	B	C	D
UL-H60W-16BL	248.0	173.6	123.6	64.8
UL-H100W-16BL	248.0	173.6	123.6	64.8
UL-H150W-16BL	275.0	186.5	136.5	77.7
UL-H200W-16BL	312.0	186.5	136.5	77.7
UL-H240W-16BL	360.0	192.8	142.8	80.3
UL-H300W-16BL	360.0	192.8	142.8	80.3

Installation

Screws and Pads (No Include)

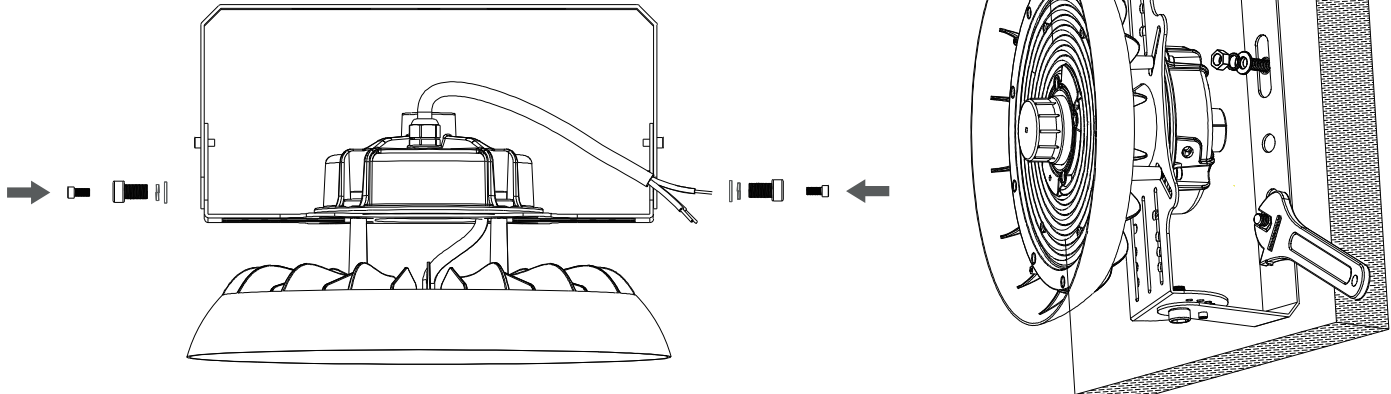
- 1X 
- 2X  M10*12
- 2X  M4*8
- 2X  M10
- 2X  M4

1. Drill Holes

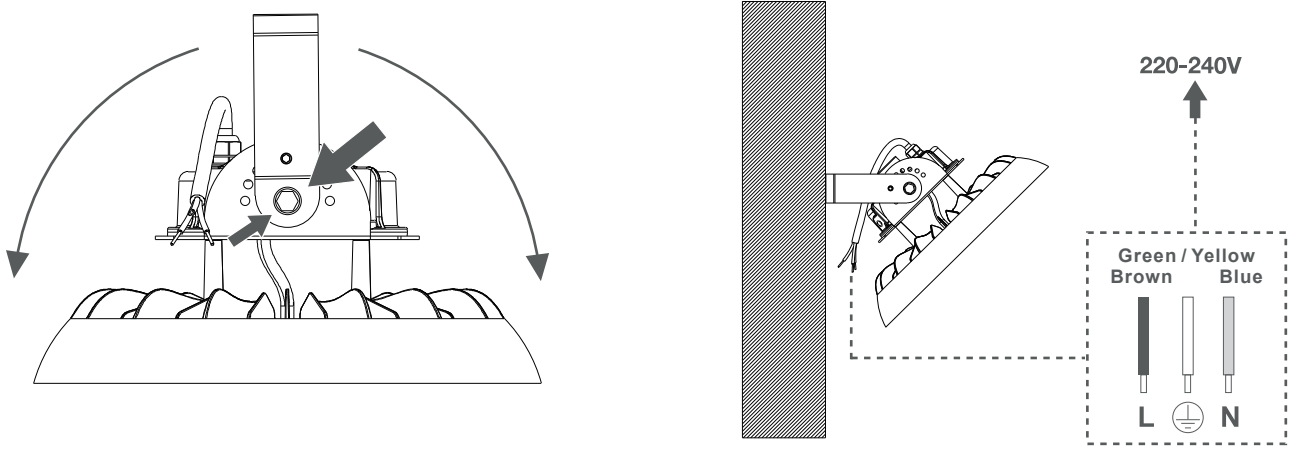


Hole diameter	12mm
Hole distance	112mm

2. Fasten the bracket with screws



3. Adjust the right angle and make the wiring connection

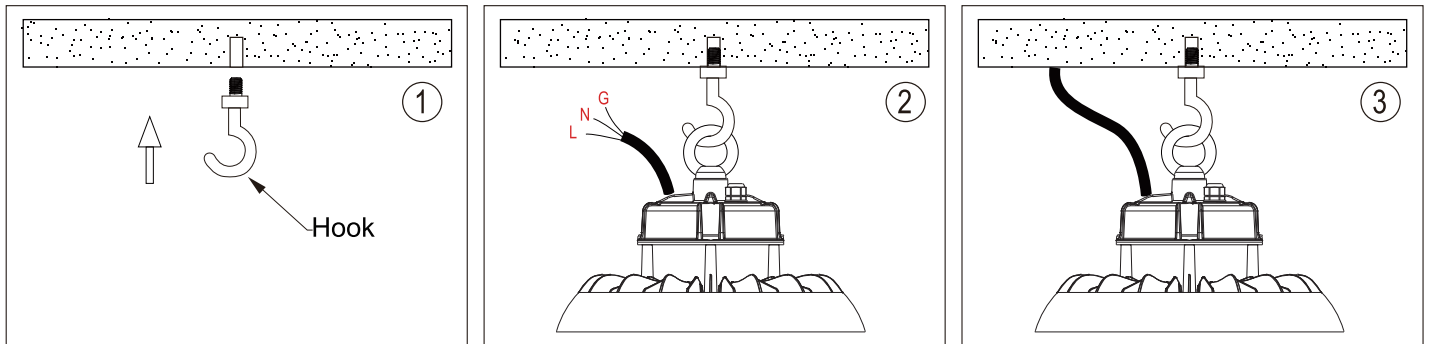


220-240V

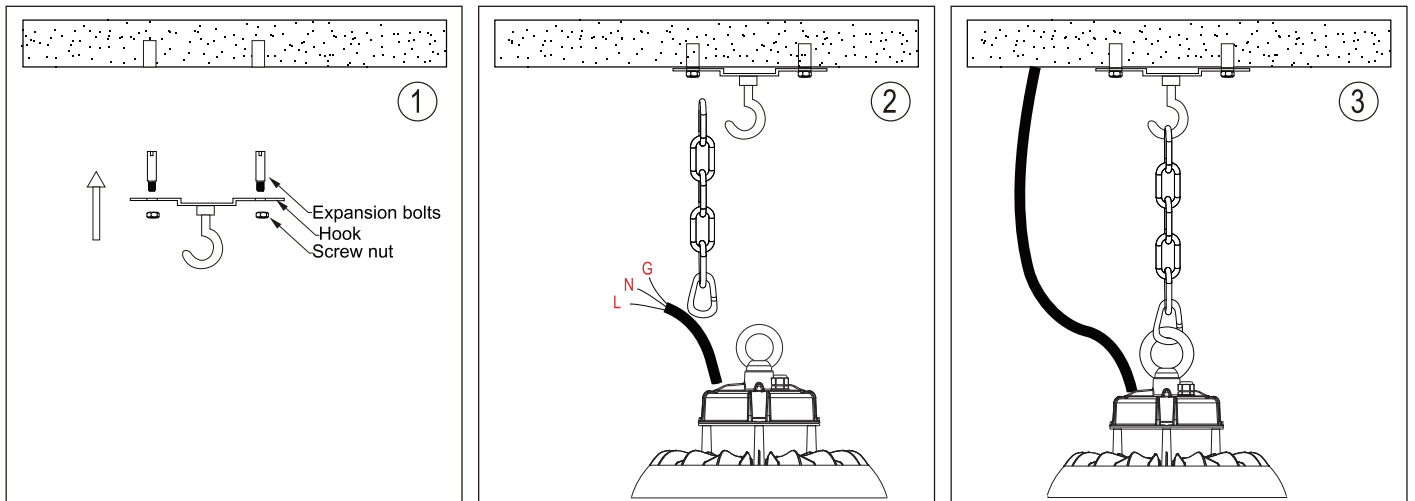
Green / Yellow
Brown Blue

L ⊕ N

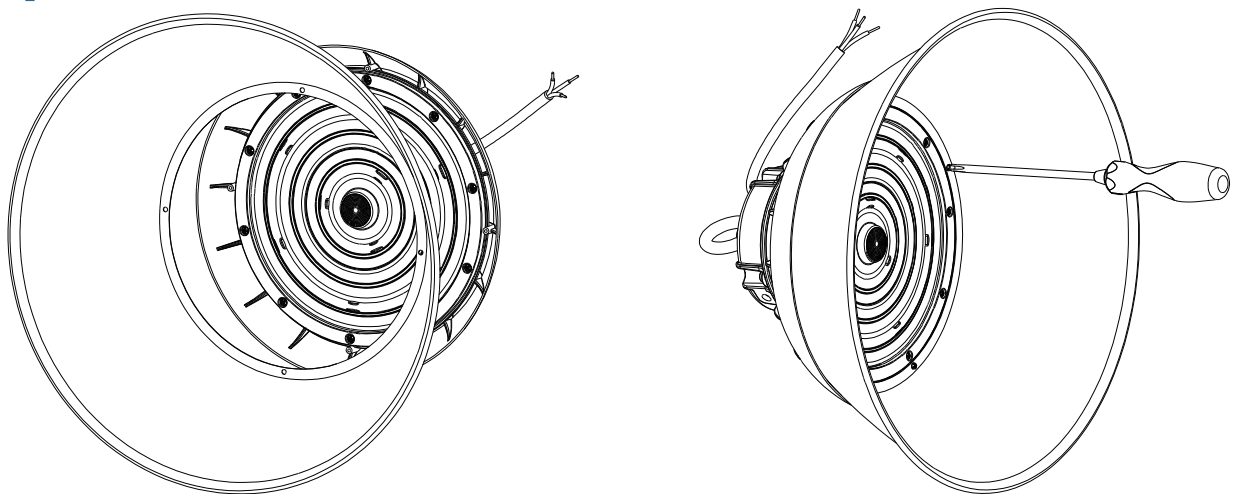
1.Hook Installation



2.Chain Installation



Lamp Cover Installation



Structure Diagrams



Warning

Please read these instructions carefully before commencing any work.

- This unit must be fitted by a competent and qualified electrician.
- To avoid damage, falling, electric shock, or fire, please do not modify the lamp and replace accessories without confirming with the supplier.
- Maintenance/installation and replacement of the lamp, please confirm to cut off the power supply, and the lamp has set up a cooling. Please make sure the lamp has been properly installed before processing power.
- Ensure the lamp is in an accurate and reliable connection.
- Ensure that the product around the vent, and the lamp cannot violate any fire prevention regulations when used.